

抗金属超高频ABS塑料弧形硬标签

On Metal Use UHF ABS Rounded Hard Tag

Standard
标准



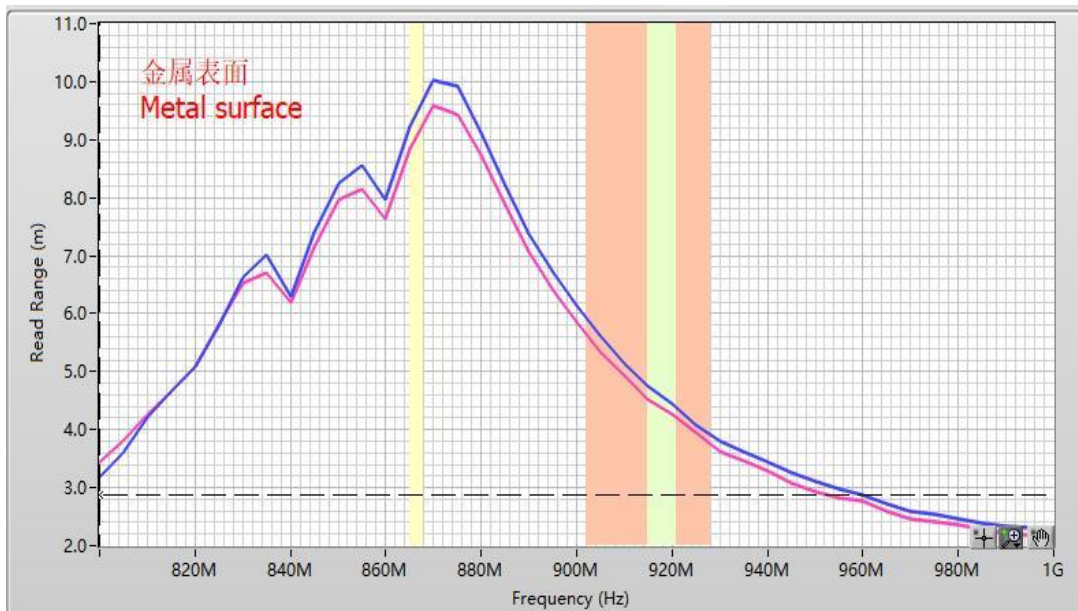
基本参数/Basic Parameters

尺寸/Size (L/OD x W/ID x H)	62*32*10mm(ID/OD:圆形标签内径/外径, ID/OD:inner/outer diameter of round tags)
面材封装/Face Stock or Housing	塑料外壳/ABS Plastic Housing
安装方法/Installation	胶粘+螺丝/Adhesive & Screw mount
天线工艺/Antenna Type	铝天线/Aluminum Antenna
技术/Technology	泡棉叠层/Foam Style
离型纸/Backing Liner	无/None
特征/Characters	抗金属(On Metal Use)

产品特性/Product Feature

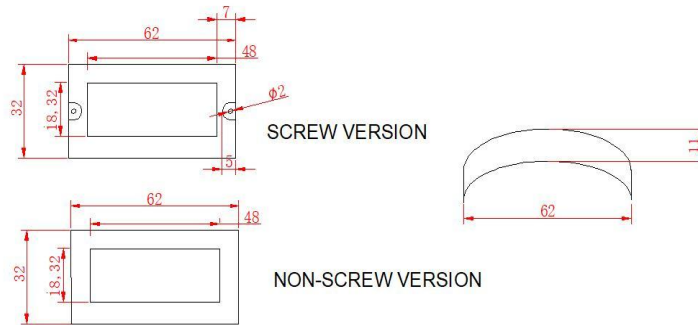
芯片/Chip Model	UCODE 8
协议/Protocol	ISO18000-6C GEN2
频率范围/Operating Frequency	865-868Mhz
内存/Memory	TID/UID 96 bit+ EPC/Block 128 bit+ User 0 bit+ Reserve 64 bit
读距/Reading Range	800cm (depends on reader)
应用介质/Applicable Surface	空气(Air-free)/金属(On metal)
个性化选项/Option	定制彩色印刷条码文本或个性化编码Custom color printing(Embossing or laser-engraving) with barcode or text & personalization encoding

附加说明/Additional



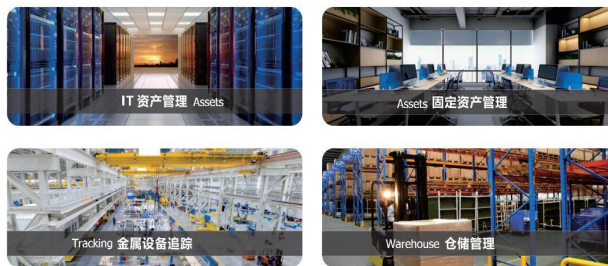
供货方式/Delivery & Supply Format

单片/单个/单张供货每袋50-200片/张(特殊要求见附加说明) Supply in piece or sheet with 50-200pcs per box(Check Additional Note for your specific request)



应用场景/Application

硬质标签以抗金属为主，主要是耐高低温、防水、抗液体、抗破坏、抗金属、异型结构等特点，广泛应用在制造业中的物流管理，集装箱、货架、设备、仪器、医疗器械、固定资产、模具治具、燃气瓶、不锈钢水壶、金属盒、自动化零部件、工具管理，产品表面不规则，如弧形，圆形，方形。同于用于物品防伪，安全控制，运输物流（如航空海运）过程防盗管理和溯源监管 Most hard tag are anti metal and has major property such as resisting high low temperature, waterproof high IP, on metal use, unregular shape. Widely used in the field of manufacturers, mainly used for logistics management, container, goods shelf, equipment, instrument, medical device, fixed-asset management, mould tooling, gas cylinder, steel boiler, metal box, automatic components, industry spare parts, with irregular and uneven surface, new moon shape, roundness, square. Recommended also anti-tamper, security safety control and traceability in transportation such as air-cargo, sea-cargo, anti-theft tracking & supervision management



环境参数/Environmental Parameter

数据保存/Data EEPROM Retention	10years
静电保护/ESD Limited Voltage	2KV
工作温度/Operating Temperature	-40℃ - 85℃
储存温度/Storage Temperature	-40℃ - 85℃
操作湿度/Relative Humidity	10%-95%(Variant Performance)

声明/STATEMENT

上述数据是基于本公司对产品特性的一般了解 仅供一般信息参考。客户购买本产品时应在实际应用条件下测试结果来自行决定是否适用 英诺尔向购买者保证其产品在材料和工艺上没有不良。The above data is based on our company general understanding of the product attribute, is just for general reference. Buyer should evaluate product under the condition of practical application to decide whether it is suitable for your application. XMinnov guarantee their products to the buyers that there is no defect on product material and fabrication.

批准 Approved By: 张琼勇 制作审核 Prepared & Checked By: 常臻
 日期 Date: 2023/12/11 日期 Date: 2023/12/11